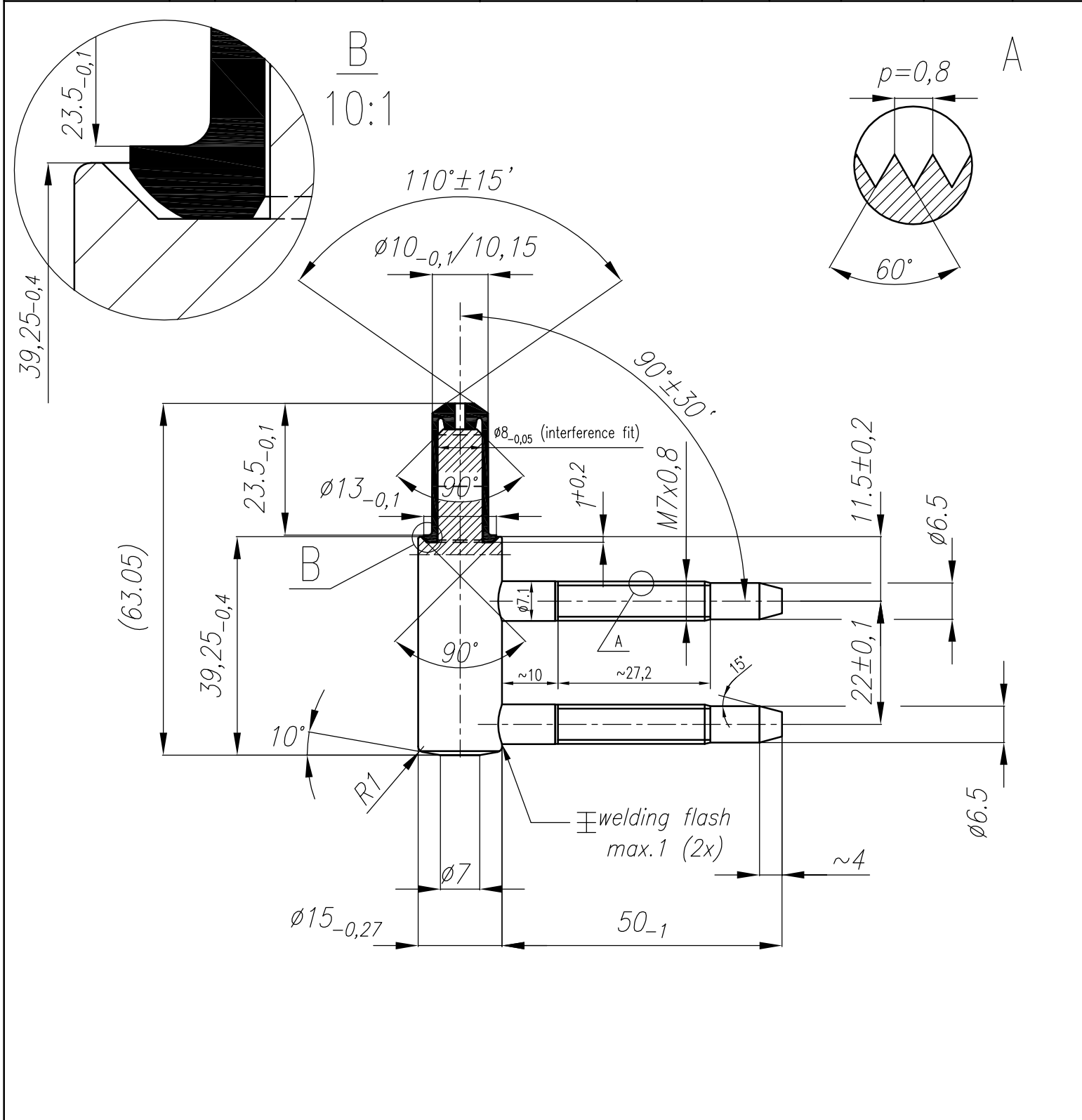


Angle tolerance					Length tolerance						
Arm length	>10	>10-50	>50-120	>120-400	Section length	>3	>3-6	>6-10	>10-30	>30-120	>120
Dimension without tolerance	±1'	±30'	±20'	±10'	Dimension without tolerance	±0,10	±0,15	±0,18	±0,25	±0,35	±0,75
Toler. for approx. dimension	±4'	±2'	±1'	±30'	Toler. for approx. dimension	±0,50	±0,60	±0,75	±1,0	±1,7	±3,0



				Ref: 586-02-00/J
				Weight: 0,0913
	22.11.2012	D.J	was: 62.8; 39; now: 63.05; 39.25	CEMOM moatti <input type="checkbox"/> POL SOFT Pol-Soft Sp. z oo Dział Handlowy Tel. 67 263 22 46 Fax: +48 67 263 30 09
	25.10.2012	D.J	VIEW B (10:1)	
P.O	09.11.2010	D.J	Creation of the plan	
Index	Date	By	Plan changes	28 Allée du plateau 93250 Villemorbille Tel. +33.1.49.35.08.54 Fax: +33.1.49.35.08.52
	Scale: 1:1	Range: Hinge	Material: Steel	Designed by: D.J
Ref: 586-02-00/J				Verified by: D.J
<small>This document is the property of the enterprise CEMOM MOATTI/POLSOFT, IT CAN'T BE COMMUNICATED WITHOUT HIS AUTHORIZATION</small>				