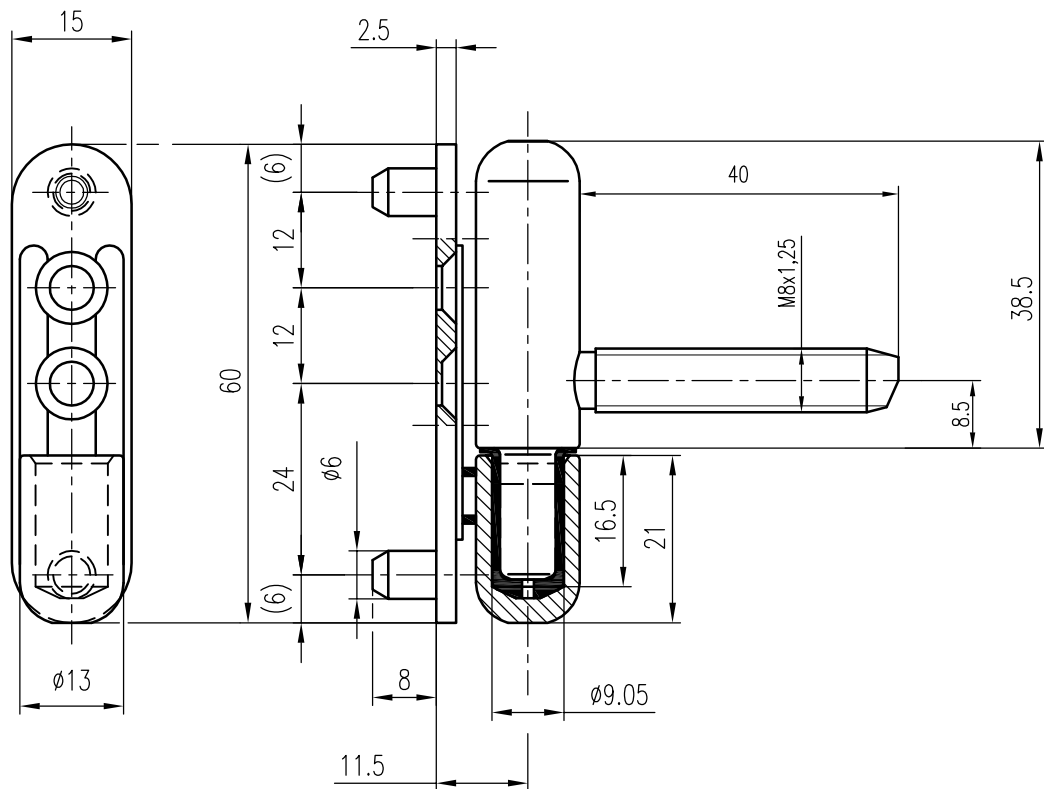


Angle tolerance					Length tolerance						
Arm length	>10	>10-50	>50-120	>120-400	Section length	>3	>3-6	>6-10	>10-30	>30-120	>120
Dimension without tolerance	±1'	±30'	±20'	±10'	Dimension without tolerance	±0,10	±0,15	±0,18	±0,25	±0,35	±0,75
Toler. for approx. dimension	±4'	±2'	±1'	±30'	Toler. for approx. dimension	±0,50	±0,60	±0,75	±1,0	±1,7	±3,0



p.F	901-01-00
p.M	901-02-00

				Ref: D 901-00-00
				Weight: 0,089 kg
				CEMOM <i>moatti</i> <input type="checkbox"/> POL SOFT
P.O	27.09.2023	D.J	Creation of the plan	28 Allée du plateau 93250 Villemorble Tel. +33.1.49.35.08.54 Fax: +33.1.49.35.08.52
Index	Date	By	Plan changes	Pol-Soft Sp. z oo Dział Handlowy Tel. 67 263 22 46 Fax: +48 67 263 30 09
	Scale: 1:1	Range: Hinge	Material: Steel	
D 901-00-00				Designed by: D.J
				Verified by: D.J